

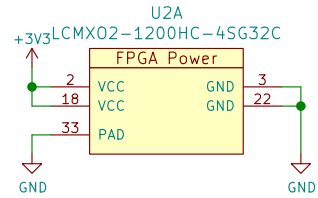
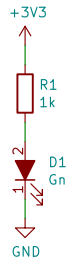
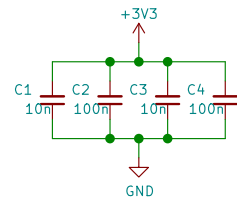
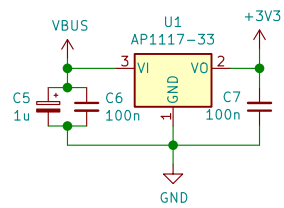
Schematic Overview

<https://l.notsyncing.net/tinyxo2>  
 Licensed under CC BY-SA 3.0  
**Markus Koch – notsyncing.net**

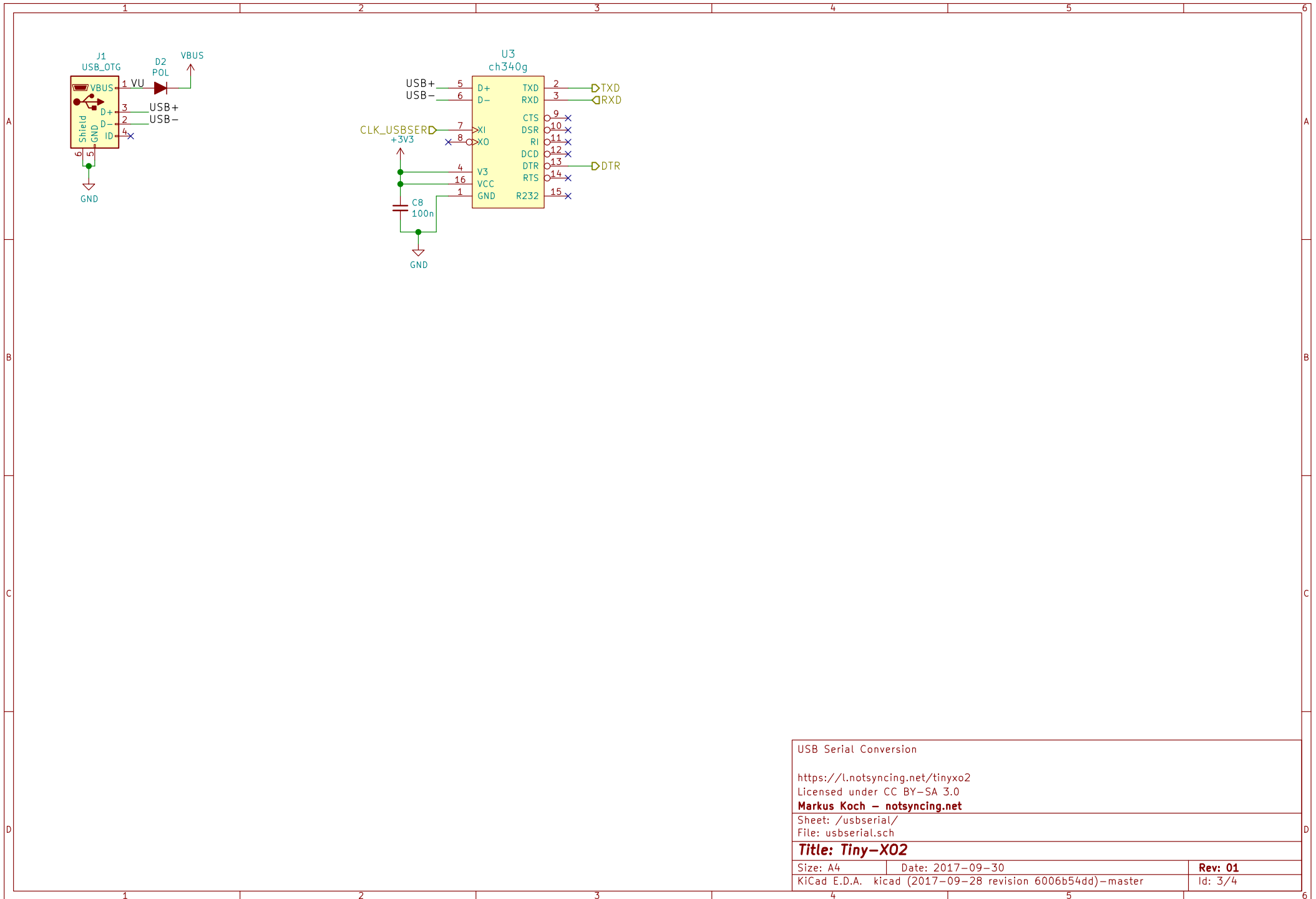
Sheet: /  
 File: tiny-xo2.sch

**Title: Tiny-X02**

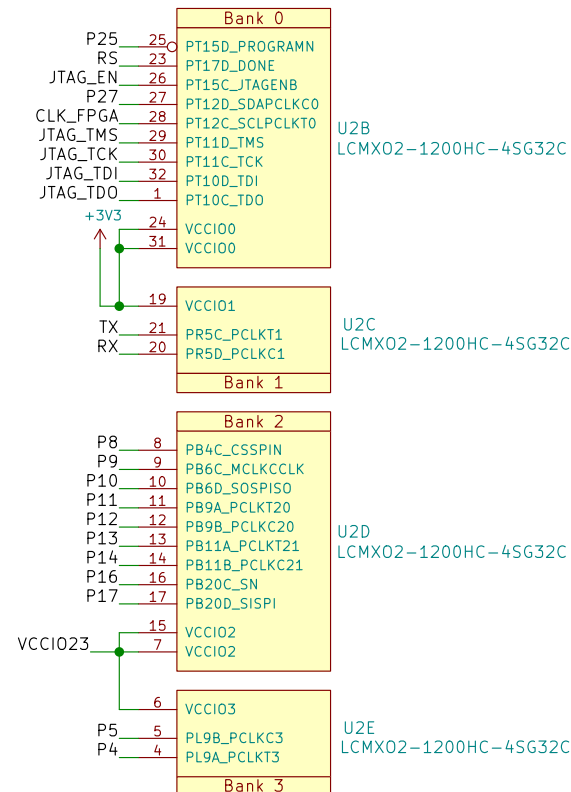
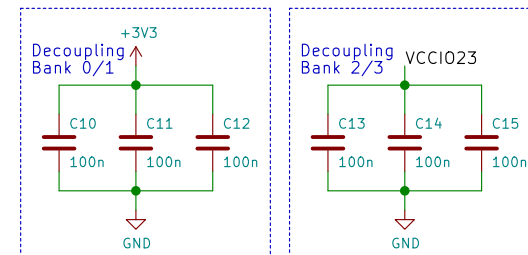
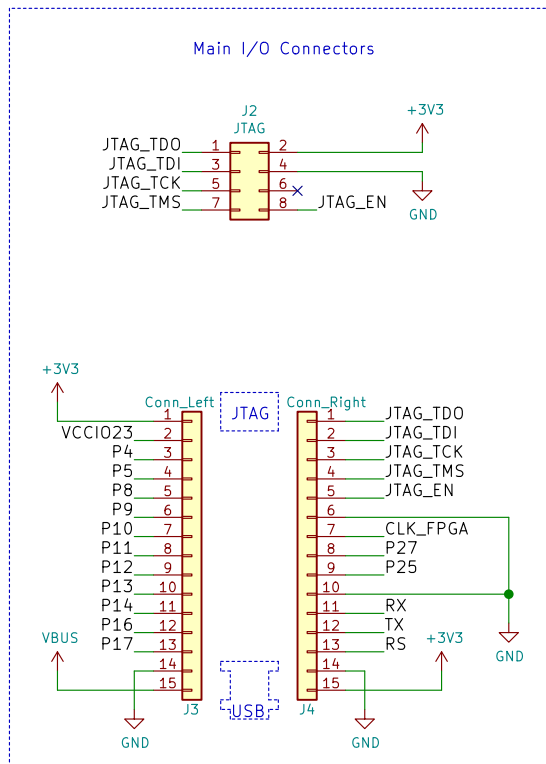
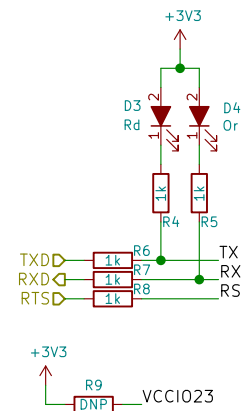
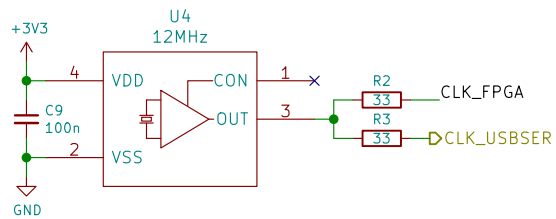
Size: A4	Date: 2017-09-30	<b>Rev: 01</b>
KiCad E.D.A. kicad (2017-09-28 revision 6006b54dd)-master		Id: 1/4



Power Supply	
<a href="https://l.notesyncing.net/tinyxo2">https://l.notesyncing.net/tinyxo2</a> Licensed under CC BY-SA 3.0 <b>Markus Koch – notesyncing.net</b>	
Sheet: /Power/ File: power.sch	
<b>Title: Tiny-X02</b>	
Size: A4	Date: 2017-09-30
KiCad E.D.A. kicad (2017-09-28 revision 6006b54dd)-master	Rev: 01 Id: 2/4



USB Serial Conversion	
<a href="https://l.notsyncing.net/tinyx02">https://l.notsyncing.net/tinyx02</a> Licensed under CC BY-SA 3.0 <b>Markus Koch – notsyncing.net</b>	
Sheet: /usbserial/ File: usbserial.sch	
<b>Title: Tiny-X02</b>	
Size: A4	Date: 2017-09-30
KiCad E.D.A. kicad (2017-09-28 revision 6006b54dd)-master	Rev: 01 Id: 3/4



FPGA Logic and Pins	
<a href="https://l.notsyncing.net/tinyx02">https://l.notsyncing.net/tinyx02</a> Licensed under CC BY-SA 3.0 <b>Markus Koch - notsyncing.net</b>	
Sheet: /fpga/ File: fpga.sch	
<b>Title: Tiny-X02</b>	
Size: A4	Date: 2017-09-30
KiCad E.D.A. kicad (2017-09-28 revision 6006b54dd)-master	Rev: 01 Id: 4/4